

GW8110

Low Power Digital Temperature Sensor with Two-Wire Serial Interface

Description

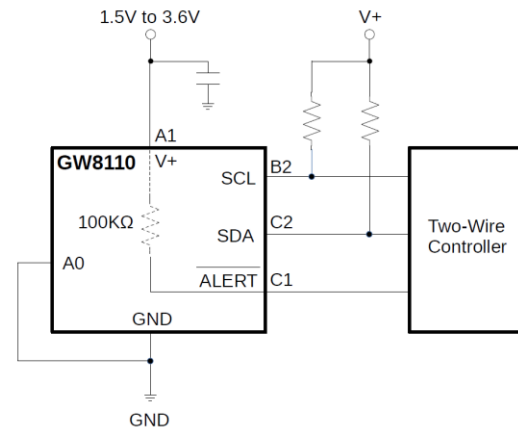
The GW8110 is a digital-output temperature sensor with a dynamically-programmable limit window, and under and overtemperature alert functions. These features provide optimized temperature control without the need of frequent temperature readings by the controller or application processor.

The GW8110 features SMBus and two-wire interface compatibility and allows up to four devices on one bus with the SMBus alert function.

The GW8110 is designed for thermal management optimization in a variety of consumer, computer, and environmental applications. The device is specified over a temperature range of -40°C to $+125^{\circ}\text{C}$.

- Under- and overtemperature protection
- Environmental monitoring and HVAC

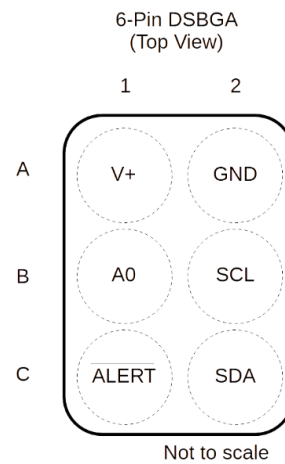
Basic Application Diagram



Features

- Dynamically-programmable limit window with under- and overtemperature alerts
- Accuracy:
 - $\pm 0.75^{\circ}\text{C}$ (maximum) from -20°C to $+85^{\circ}\text{C}$
 - $\pm 1^{\circ}\text{C}$ (maximum) from -40°C to $+125^{\circ}\text{C}$
- Low quiescent current:
 - 6 μA active (maximum) from -40°C to $+125^{\circ}\text{C}$
- Resolution: 16 bits ($< 0.01^{\circ}\text{C}$)
- Package: 1.2-mm \times 0.8-mm, 6-ball WCSP

Package Information



Physical Characteristics

- Supply range: 1.5 V to 3.6 V
- Available in 1.2-mm \times 0.8-mm, 6-ball WCSP Package

Typical Applications

- Smartphone and tablet thermal management
- Battery management
- Thermostat control

Ordering Information

Device name	Package	Remark
GW8110	1.2mm x 0.8mm 6 ball DSBGA	Die Sized BGA (WCSP)

Notice

1. The descriptions of circuits, software, and other related information in this document are solely meant to demonstrate how semiconductor products operate and provide examples of their applications. You hold complete responsibility for incorporating or using the circuits, software, and information in designing your own product or system.
2. Gwanak Analog takes no responsibility for any losses or damages suffered by you or third parties resulting from the utilization of these circuits, software, or information.
3. Gwanak Analog explicitly disclaims any responsibility or liability for infringement or any other claims related to patents, copyrights, or other intellectual property rights of third parties, resulting from the use of Gwanak Analog products or technical information described in this document. This includes, but is not limited to, product data, drawings, charts, programs, algorithms, and application examples.
4. This document does not grant any form of license, whether explicit, implicit, or otherwise, under any patents, copyrights, or other intellectual property rights owned by Gwanak Analog or any other party.
5. It is your responsibility to identify and obtain any necessary licenses from third parties for the legal import, export, manufacturing, sales, use, distribution, or any other actions involving products that incorporate Gwanak Analog products, if such licenses are required.
6. You are prohibited from making any changes, modifications, copies, or reverse engineering of Gwanak Analog products, whether partially or entirely. Gwanak Analog takes no responsibility for any losses or damages suffered by you or third parties resulting from such actions of alteration, modification, copying, or reverse engineering.
7. No semiconductor product can guarantee absolute security. Despite any security measures or features incorporated into Gwanak Analog hardware or software products, Gwanak Analog holds no liability for any vulnerabilities or security breaches, including unauthorized access or usage of Gwanak Analog products or systems utilizing them. Gwanak Analog does not provide assurance or guarantee that Gwanak Analog products or systems created with them will be immune to issues like corruption, attacks, viruses, interference, hacking, data loss or theft, or other security intrusions. Gwanak Analog disclaims all responsibility and liability associated with vulnerability issues. Additionally, to the extent permitted by applicable law, Gwanak Analog disclaims all warranties, whether expressed or implied, regarding this document and any related software or hardware, including but not limited to warranties of merchantability or fitness for a particular purpose.
8. While Gwanak Analog strives to enhance the quality and reliability of its products, semiconductor products possess inherent characteristics, such as a certain failure rate and potential malfunctions under specific usage conditions. Unless explicitly specified as high-reliability products or intended for harsh environments in Gwanak Analog data sheets or other official documents, Gwanak Analog products do not incorporate radiation-resistant design. It is your responsibility to implement safety precautions to mitigate the risk of bodily harm, injuries, damage, or public hazards resulting from failures or malfunctions of Gwanak Analog products. These safety measures may include hardware and software safety design, such as redundancy, fire control, malfunction prevention, appropriate measures to address aging degradation, or other suitable actions. Since evaluating microcomputer software independently is challenging and impractical, you are accountable for assessing the safety of the final products or systems manufactured by you.
9. For specific information regarding environmental concerns related to Gwanak Analog products, kindly get in touch with a Gwanak Analog sales office. It is your responsibility to conduct a thorough investigation and ensure compliance with relevant laws and regulations pertaining to the usage or inclusion of controlled substances, including but not limited to the EU RoHS Directive. Gwanak Analog takes no responsibility for any damages or losses incurred due to your failure to comply with applicable laws and regulations.
10. Gwanak Analog products and technologies must not be utilized or included in any products or systems that are prohibited by domestic or foreign laws or regulations. You are required to adhere to export control laws and regulations imposed by governments of countries that assert jurisdiction over the parties involved or the transactions taking place.
11. The buyer, distributor, or any party involved in the distribution, sale, or transfer of Gwanak Analog products to a third party is responsible for informing the third party in advance about the contents and conditions specified in this document.
12. The content of this document cannot be reproduced, copied, or duplicated, either fully or partially, without obtaining prior written consent from Gwanak Analog.
13. If you have any inquiries about the information provided in this document or Gwanak Analog products, please reach out to a Gwanak Analog sales office for assistance.

Corporate Headquarters

Gwanak Analog Co., Ltd., 1 Gwanak-ro, Gwanak-gu,
Seoul National University Research Park, FL 5, Seoul,
Korea 08826

Contact Information

For further information on a product, technology, the
most up-to-date version of a document, or your nearest
sales office, please visit:
www.gwanakanalog.com

Trademarks

Gwanak Analog and Gwanak Analog logo are
trademarks of Gwanak Analog Company. All
trademarks and registered trademarks are the property
of their respective owners.